

7201

OPERATING INSTRUCTIONS

USB Digital Scale

Jan 2011



Figure 01 - Model 7201W10 USB Digital Scale in case

SOILMOISTURE EQUIPMENT CORP.
P.O. Box 30025, Santa Barbara, CA. 93130 U.S.A.
Telephone (805) 964-3525
www.soilmoisture.com - sales@soilmoisture.com



Table of Contents

UNPACKING 3

CAUTIONS & WARNINGS 3

WARRANTY & LIABILITY..... 3

AQUAINT YOURSELF WITH THE PARTS 4

GENERAL SPECIFICATIONS..... 4

FEATURES AND FUNCTIONS 5

REQUIREMENTS PRIOR TO USE..... 5

HOW TO USE AND/OR OPERATE UNIT..... 6

 USB Connection 6

 Battery & Power Installation..... 6

WEIGHING FUNCTION 7

SAMPLING FUNCTION 8

COUNTING FUNCTION 11

TARE FUNCTION 15

HOLD DISPLAY FUNCTION 16

CALIBRATION 17

TROUBLESHOOTING..... 18

GENERAL CARE AND MAINTENANCE..... 19

PARTS LIST..... 19

 REPLACEMENT PARTS..... 19

 ASSESORIES AND USEFUL ITEMS FOR THIS UNIT 19

 COMBO KITS..... 19



UNPACKING

The Model 7201 was thoroughly tested before shipment. When packed, it was in perfect working order. Unpack with care being sure to remove all packing material. Follow the instructions carefully in order to assure long, trouble-free service.

Any damage found upon receipt should be reported immediately to the transport carrier for claim. It is important to save the shipping container and all evidence to support your claim. Be sure to read all operating instructions thoroughly before operating the unit.

Remove the Model 7201 Scale from the shipping box. In the box is also a USB cable for connecting the Scale to a PC or to Soilmoisture Equipment Corp. (SEC) Model 7205 Record it in a Flash.

CAUTIONS & WARNINGS

- Try and keep dry.
- Use only a 9VDC wall adapter for indoor/laboratory use.

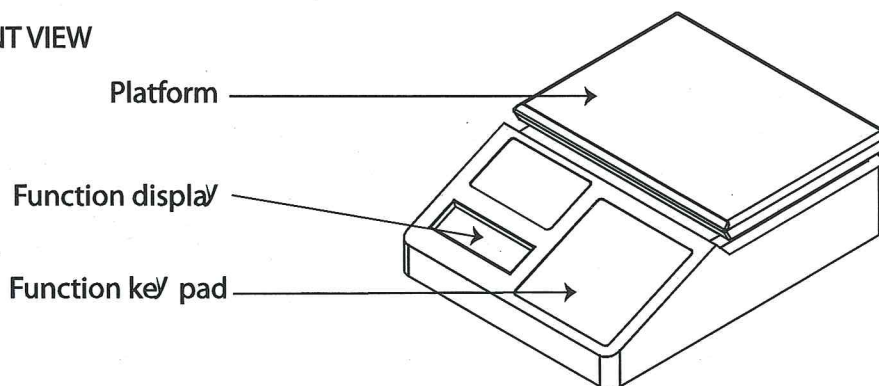
WARRANTY & LIABILITY

Soilmoisture Equipment Corp. (SEC) warrants all products manufactured by SEC to be free from defects in materials and workmanship under normal use and service for twelve (12) months from the date of invoice provided the section below has been met.

Soilmoisture Equipment Corp. (SEC) is not liable for any damages, actual or inferred, caused by misuse or improper handling of its products. SEC products are designed to be used solely as described in these product operating instructions by a prudent individual under normal operating conditions in applications intended for use by this product.

AQUAINT YOURSELF WITH THE PARTS

FRONT VIEW



REAR VIEW

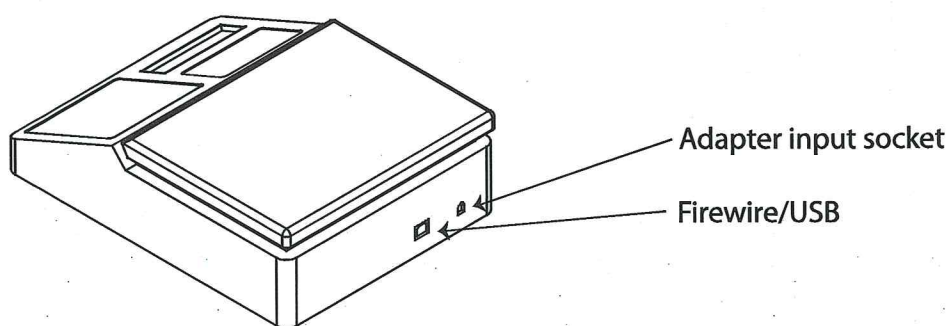


Figure 02 - Parts of the Model 7205 Scale

GENERAL SPECIFICATIONS

Capacity	5kg	10kg
Graduation / Resolution	0.1g	0.2g
Minimum Weight detection	>0.1g	>0.2g
Min startup weight detection	>0.1g	>0.5g
Accuracy	± 0.1% of the reading	
Power consumption	Approx. 0.35 watts	
Tare	Unlimited (up to scale's maximum capacity)	
Weight of Unit Scale	2.3 pounds 1050g	
Dimensions	10.4" x 7.9" x 3.1" 26.5cm x 20cm x 8.3cm	
Platform Size	5.7" x 7.5" 20cm x 15cm	
Auto-off	Shuts down after 5 min of non use in battery	
Power	<ul style="list-style-type: none"> • AC adapter; 9V, 100mA negative center • USB Self Powered • 6 x AA Alkaline battery (not supplied) 	

FEATURES AND FUNCTIONS

Weighs in various units:

- ✓ Gram (gm)
- ✓ Kilogram (kg)
- ✓ Pounds (LB)
- ✓ Ounce (OZ)
- ✓ Pounds and Ounces (LB OZ)

Counting Function – Counts number of items placed on the platform based from sampling made

Memory – Stores and memorizes the number of items counted

Memory Add – Adds the current number of items to the value stored in memory

Stored Sample – Samples items using the programmed number of samples

USB Interface – Connects to application programs to capture scale weight and other USB functions like tare and change of display units

Hold Display – Freezes the scale display when weighing items that block the scale's LCD

Remote Operation from PC – The scale can receive commands from the PC via USB to execute the functions remotely

REQUIREMENTS PRIOR TO USE

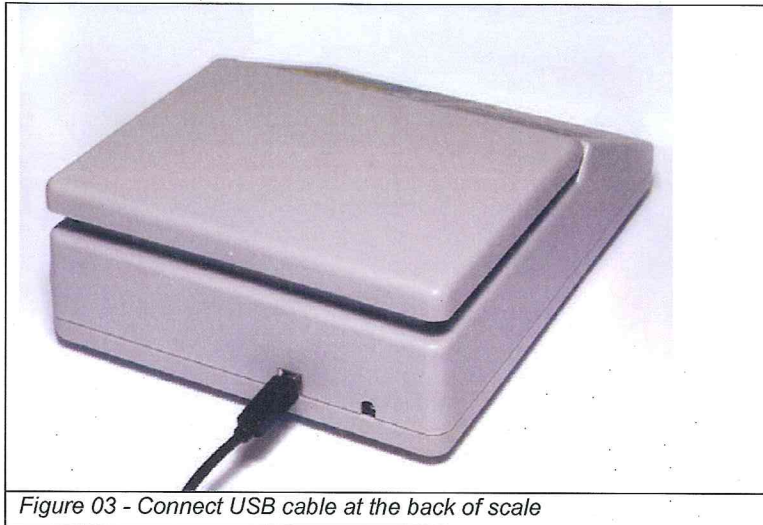
- Fix the weighing platform gently to the body of the scale via the four location points. The slope edge of the platform should face the front part. (**DO NOT** press hard on the platform).
- Plug the mains adapter supplied with the scale into the mains and connect the adapter's output plug to the input socket at the rear side of the scale.
- Place the scale on a firm and even surface. Press the **ON/OFF** key on the keyboard panel on the front side.
- The scale will perform an automatic self test. After this, the scale will go to weighing mode and weigh in grams by default. Now the scale is ready for weighing and counting.
- The scale is designed to operate in a normal room temperature. If subjected to cold or warm temperature, it should be allowed to reach the room temperature before operating.

HOW TO USE AND/OR OPERATE UNIT

The Scale can be powered over the USB port from the Record it in a Flash recorder or a connected PC. Optionally, the Scale can use internal batteries or an external wall adapter for Power.

USB Connection

1. Connect end B of the supplied USB cable at the back of the scale (Fig.03). Connect end A of the cable to an available USB port on the Record it in a Flash, USB hub or to a PC. When scale is connected to a USB port, the power adapter or the batteries are not necessary.



Battery & Power Installation

1. Insert 6 batteries (Fig.04).

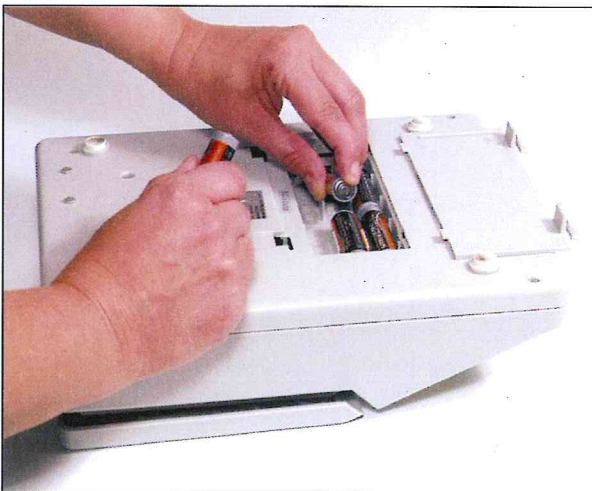


Figure 04 - Inserting the batteries

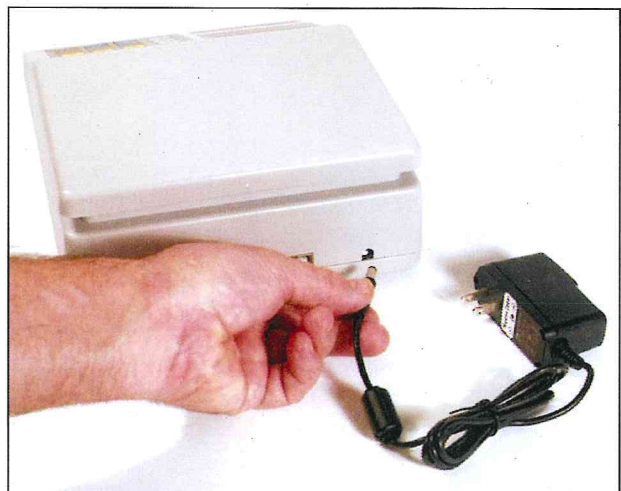
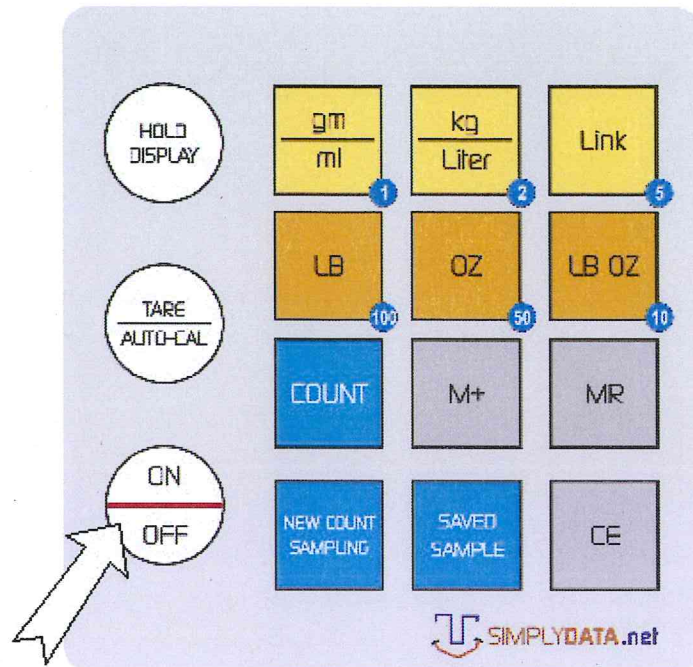


Figure 05 - USB cable Set-up

2. Connect the AC adapter into the power jack and the output outlet on the rear side of the scale. This adaptor is center negative 9V (Fig.05).

WEIGHING FUNCTION



Press the **ON/OFF** key for the normal operation. PC will automatically recognize the scale and install the appropriate driver.

Press the key labeled with the specific unit of measurement to change weight display to that unit of weight (e.g. **gm** key for grams or **OZ** key for ounces weight display and so on). *The weight is updated on the LCD after the weight placed on the platform is stable.*

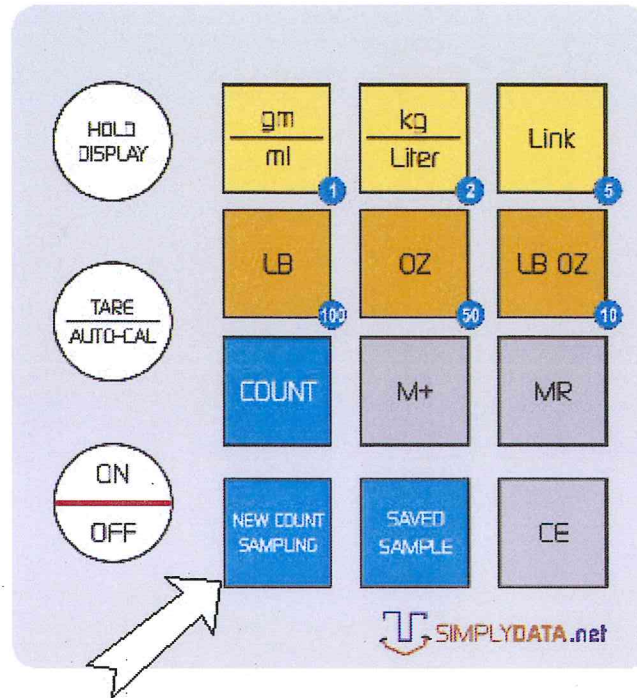


Figure 06 - Scale Weighing Function

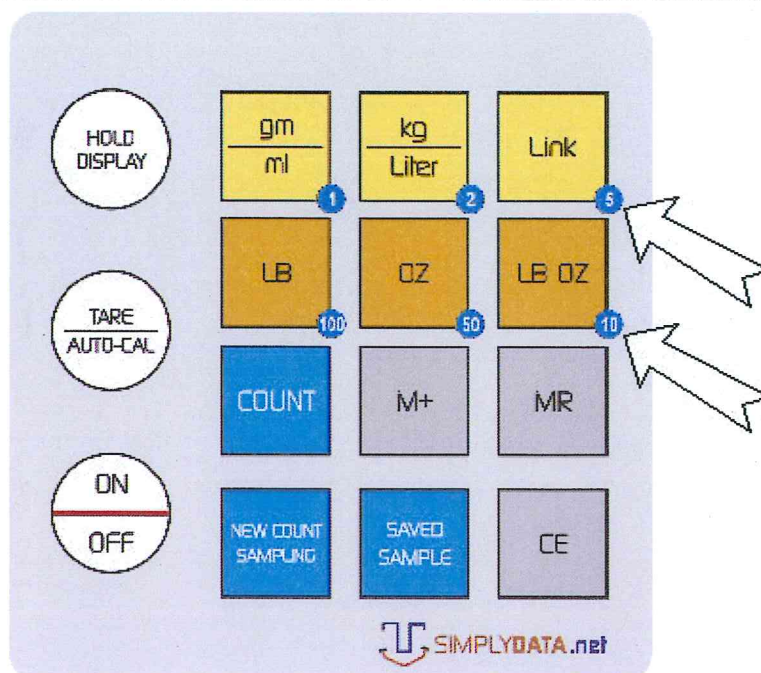
SAMPLING FUNCTION

It is necessary to make a sample counting of the items to be counted first before the COUNT function can be used.

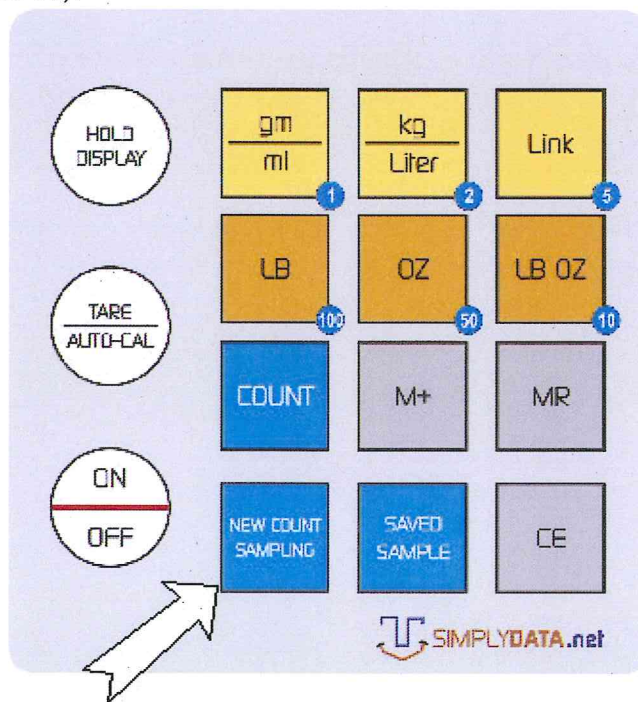
New Count Sampling



1. Press **NEW COUNT SAMPLING** key.

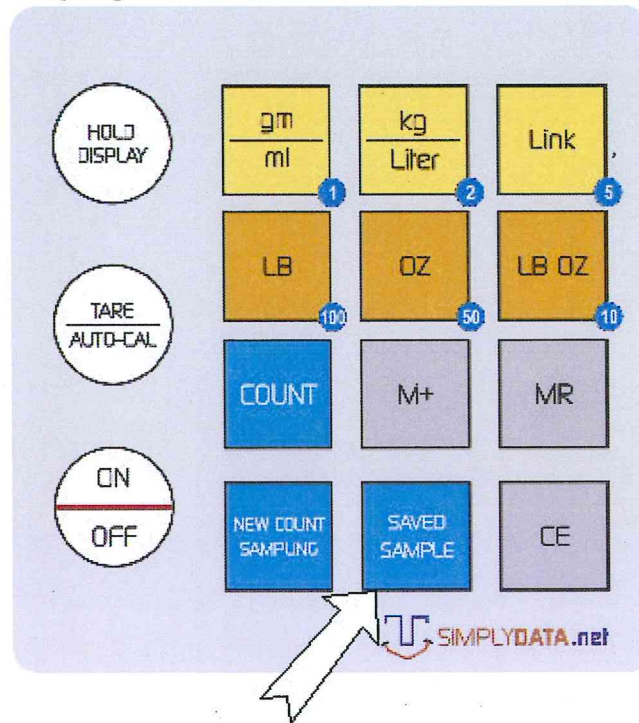


- Input the number of items available for sampling. Use keys **1, 2, 5, 10, 50, and 100** to increment the displayed value (e.g. pressing 1 adds 1 to the displayed value, 10 adds 10, and so on).



- Press **NEW COUNT SAMPLING** key again to confirm the final value.
- The scale will check if there is weight on the scale and will ask user to remove if there is any.
- After this, it will prompt to put the sample items on the platform (please put exact number of items as entered above to ensure accurate sampling).

6. The scale will start to perform sampling according to the weight of the items on the platform.
7. It will display **"Sampling successful!"** after a successful sampling is finished.



8. Press **SAVED SAMPLE** key to save this sampling value for next samplings to perform on the scale. Press **CE** key to skip this part.
9. The scale will go to counting mode automatically. Put items of the same kind on the platform to start counting.

Sampling Using the Saved Sample Value

1. Press **SAVED SAMPLE** key.
2. The scale will check if there is weight on the scale and will ask user to remove if there is any.
3. After this, it will prompt to put the sample items on the platform (please put exact number of items as displayed on the scale to ensure accurate sampling).
4. The scale will start to perform sampling according to the weight of the items on the platform.
5. It will display **"Sampling successful!"** after a successful sampling is finished and will go to counting mode automatically. Put items of the same kind on the platform to start counting.

Notes:

The scale will count according to the last sampling made on the scale. There is no need to make another sampling if the scale was turned off but will be used to count the same kind of items that were counted last time.

It is best to sample the scale once in a while if it is used to count one kind of item only.

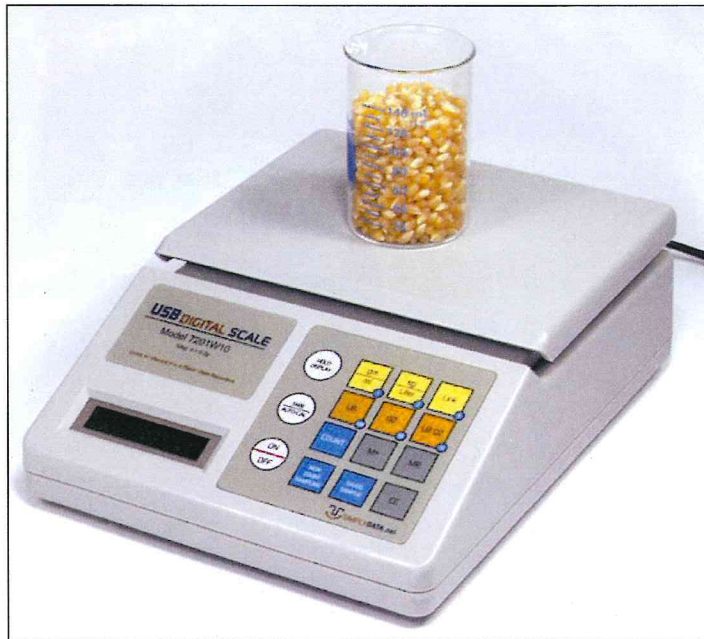
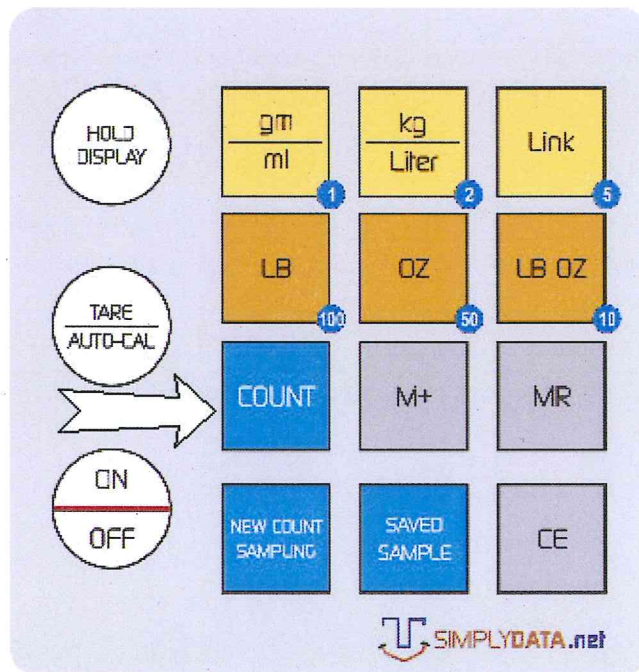
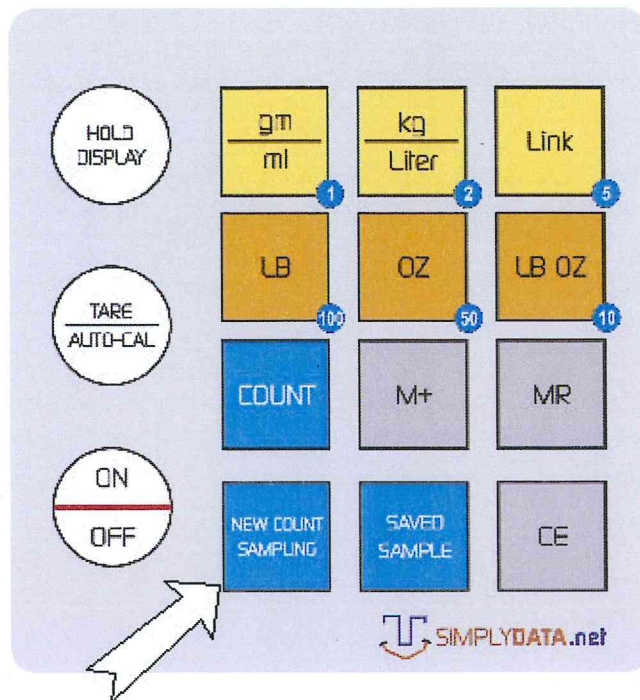


Figure 07 - Counting Function

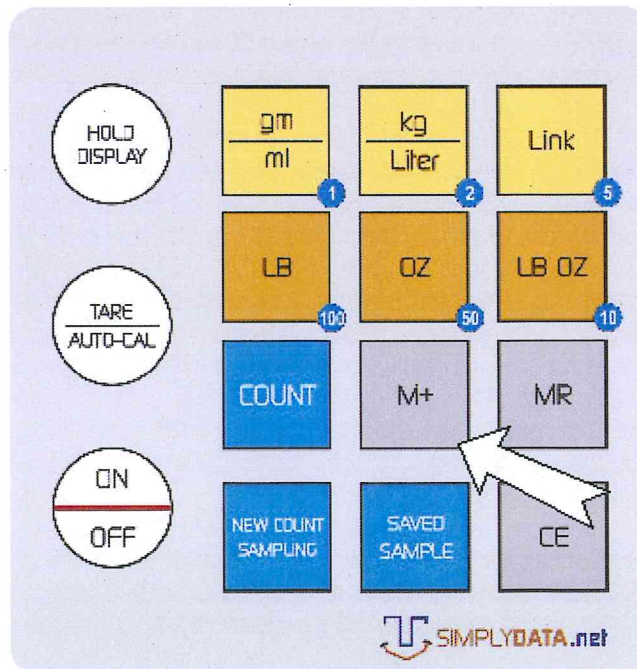
COUNTING FUNCTION



Press **COUNT** key to count items according to the last sampling made on the scale. Put items to count on the scale platform. The number of items (or the count) on the platform is displayed on the LCD once the weight has stabilized.

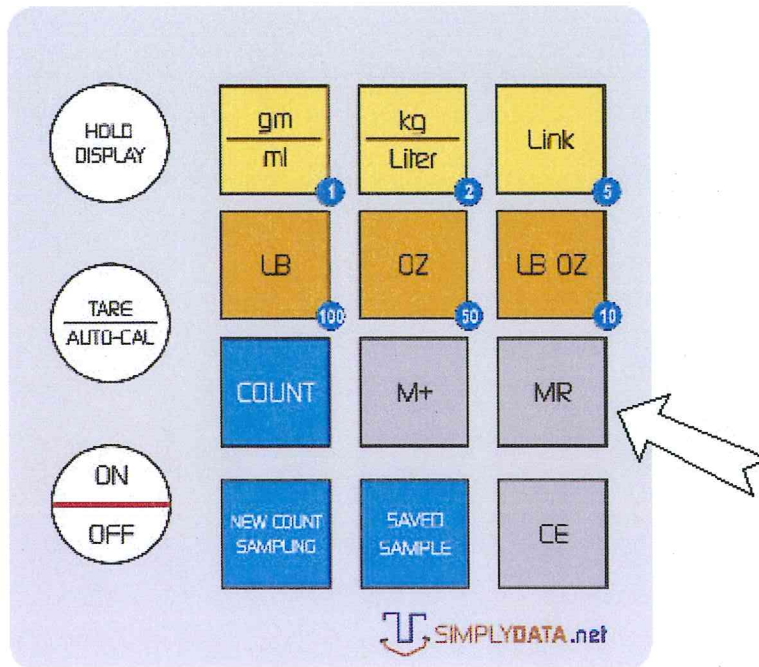


To count items of another kind or another weight, press **NEW COUNT SAMPLING** key and repeat above steps on how to make new count sampling on the scale.
Saving or Adding Count to Memory



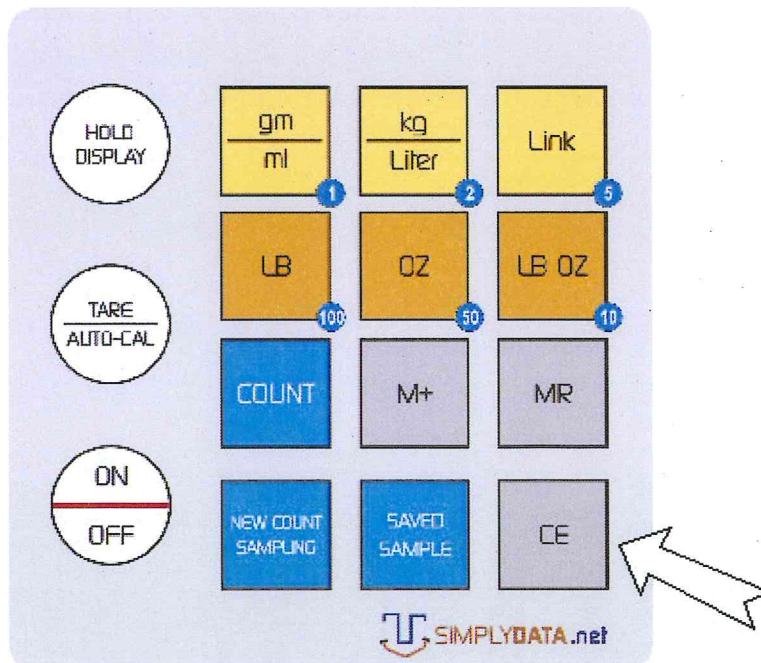
While in counting mode and the count of items is displayed on the LCD, press **M+** key to add the current count to the count that is stored in memory. The scale will display **"Added to memory"** once the operation is completed. Example, if the current count

displayed on the LCD is 24 and the current count that is stored in memory is 8, the new count stored in memory will be 32 after pressing **M+** key.



Displaying Count Stored in Memory

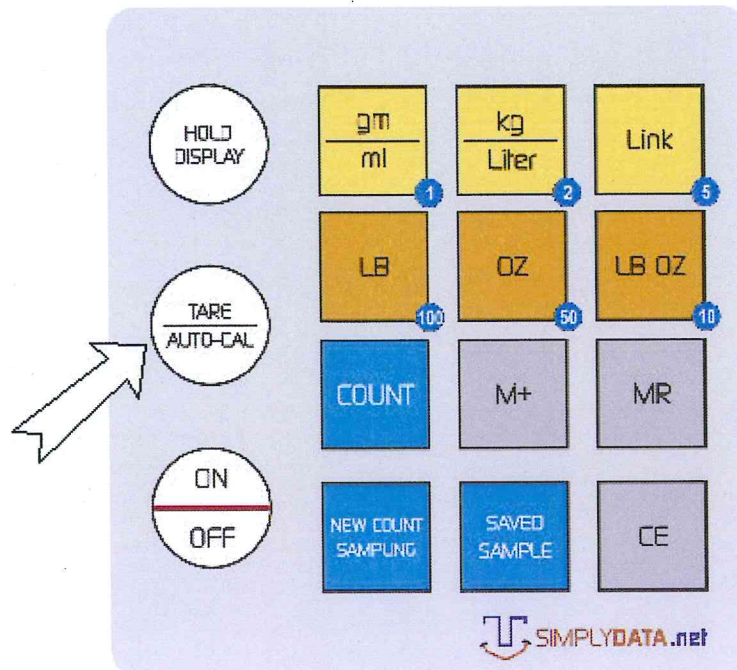
While in counting mode, press **MR** key to display the count value that is currently stored in memory.



Erasing Count Stored in Memory

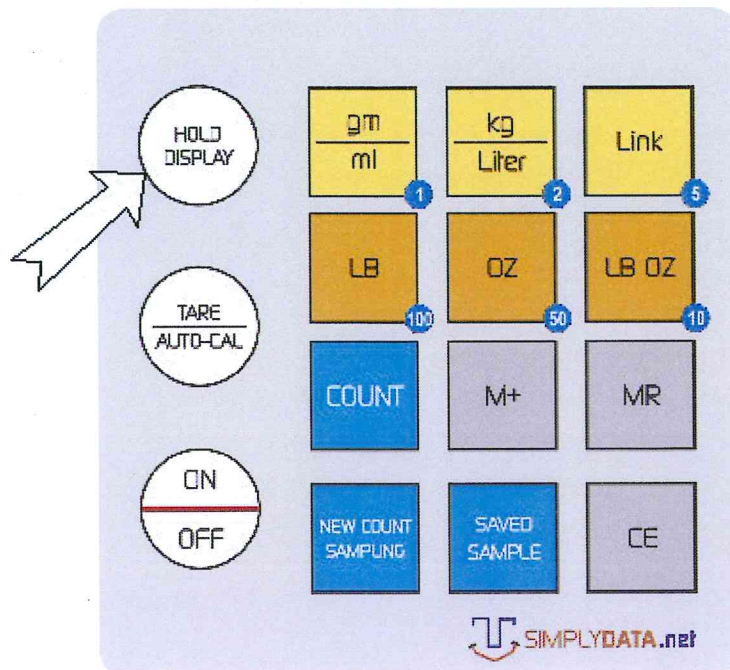
While in counting mode, press **MR** key to display the count value that is currently stored in memory. At this time, press **CE** key to erase this value stored in memory. The scale will display "**Memory erased!**" once the operation is completed.

TARE FUNCTION



Tare function is useful if you have to take only the weight or count of items that need to be placed in a container. Put the empty container and press **TARE** key. The scale will zero itself and now you can put the items to count or weigh. The scale will display only the weight or count of the items excluding the container. "T" appears at the lower left corner of the LCD when the Tare function is currently enabled.

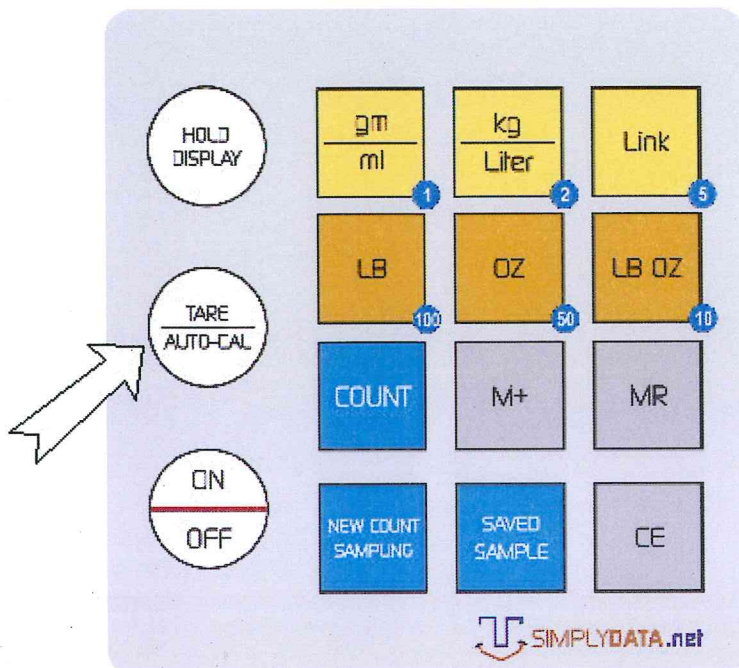
HOLD DISPLAY FUNCTION



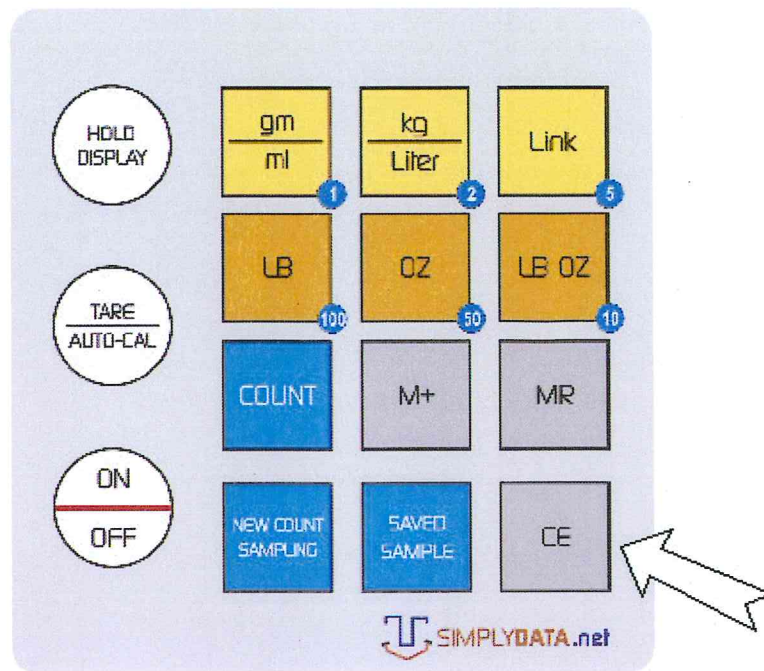
This function is useful when weighing items that block the scale's LCD. Press **HOLD DISPLAY** key then put the item on the platform. The weight of the item will be displayed on the LCD for about 10 seconds even if the item is removed from the platform.

CALIBRATION

Recalibration may be required if the load cell of the scale is overloaded due to dropping something heavy on the scale, dropping the scale or other kind of misuse. (You need to have a 2kg weight to proceed with the user calibration).



Turn off the scale (if it is currently turned on) and remove any weight on the platform. Press **ON/OFF** key and while the scale is performing its self test (display is Selftest...), press **TARE/AUTO-CAL** key. The scale will enter user calibration mode and will ask for a 2kg weight to be put on the platform. Put 2kg weight and the scale will calibrate itself. Once calibration is successful, the scale will go to weighing mode. To exit user calibration without completing, simply press **CE** key.



Note: If the weight placed is not 2kg, the calibration will not proceed and the scale will keep on asking for 2kg weight. The calibration procedure has to be carried out in an extremely calm and non vibrating environment as it will affect the accuracy of the scale.

LINK FUNCTION

The Link button is reserved for future use.

TROUBLESHOOTING

- The Model 7201W10 and 7201W05 Scales are powered
 - Internal AA batteries
 - External Wall Adapter
 - Over the USB port powered from the PC or USB hub.
- **Overload** displays when the weight on the platform exceeds scale's maximum capacity.
- **Low Bat** blinks at the upper right corner of the LCD. Please replace the battery as soon as possible. Operation with low battery is possible but the accuracy of the scale is affected.

GENERAL CARE AND MAINTENANCE

- Always set unit on a dry surface when in use.
- Remove batteries if the unit will sit and not be used for an extended length of time.
- Store in a clean and dry area or the supplied case when unit is not in use.

PARTS LIST**REPLACEMENT PARTS**

ITEM	PART #	DESCRIPTION
	MEB006	'AA' Size Alkaline Battery – 6 Required
		Wall Power Adapter (9V, center Negative)

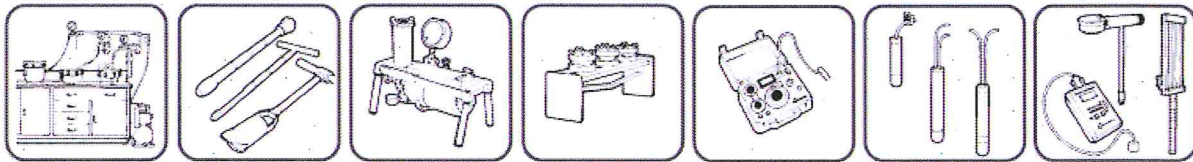
ASSESORIES AND USEFUL ITEMS FOR THIS UNIT

	8101SF	PC Software Utilities
	7205	Record it in a Flash battery powered recorder

COMBO KITS

	7201PKG7201W05	RIF + USB Digital Scale, 5Kg
	7201PKG7201W10	RIF + USB Digital Scale, 10Kg

**With dealers throughout the world,
you have convenience of purchase and assurance
of after sales service.**



© COPYRIGHT 2011 ALL RIGHTS RESERVED 0898-7201